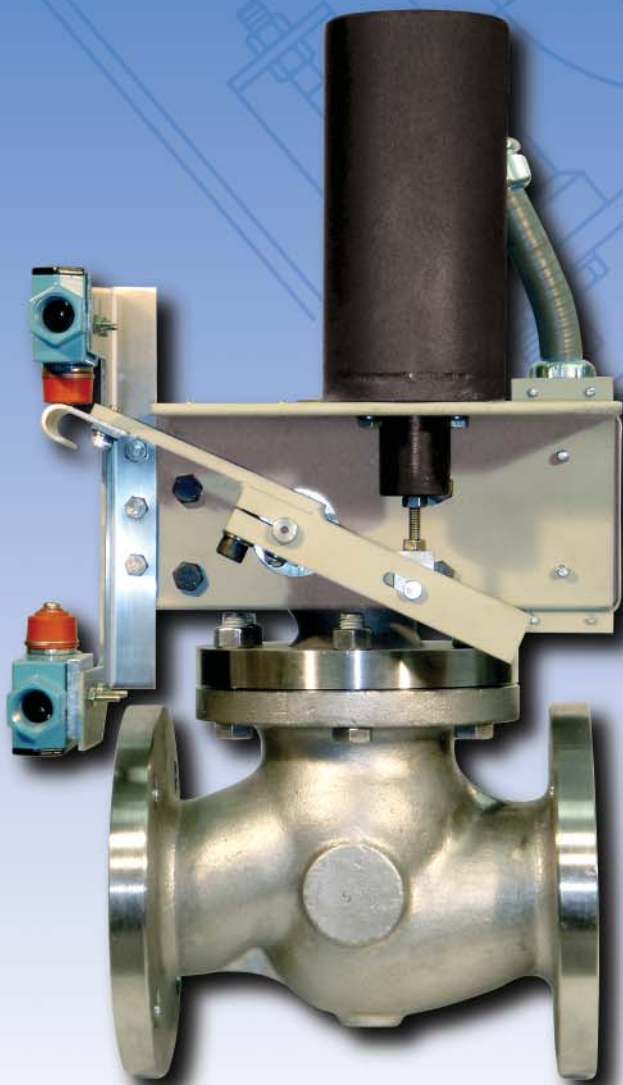




**CLARK - COOPER DIV.**  
MAGNATROL VALVE CORPORATION  
STANDARD & HIGH PRESSURE SOLENOID VALVES

# ROTARY SHAFT STYLE SOLENOID VALVES

**Available For  
Quick Delivery**



**Controls The Flow Of:**

- **Extremely Corrosive Fluids**
- **Dirty Or Viscous Liquids**
- **Cryogenics**
- **High Temperature Liquids & Gases**











# OPTIONS and ACCESSORIES

## Position Indicating Switches

- 1 or 2 switches can be mounted to the bracket
- Mechanically Actuated
- Heavy Duty SPDT or DPDT
- Watertight and/or Explosion-Proof Enclosures (see **Figure 1**)

## Terminal Block available:

- Mounted in a separate enclosure for easier electrical connections.
- Mounted on the back of the bracket (see **Figure 1**) or other suitable location.

**Manual Override with Lock Pin** allows the valve to be operated manually and locked in place. A knob is added to the lever for easier operation. (see **Figure 2**)

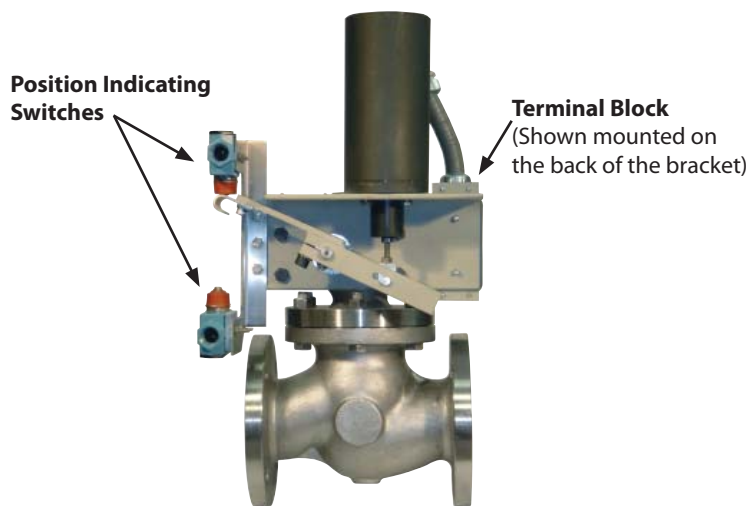


Figure 1

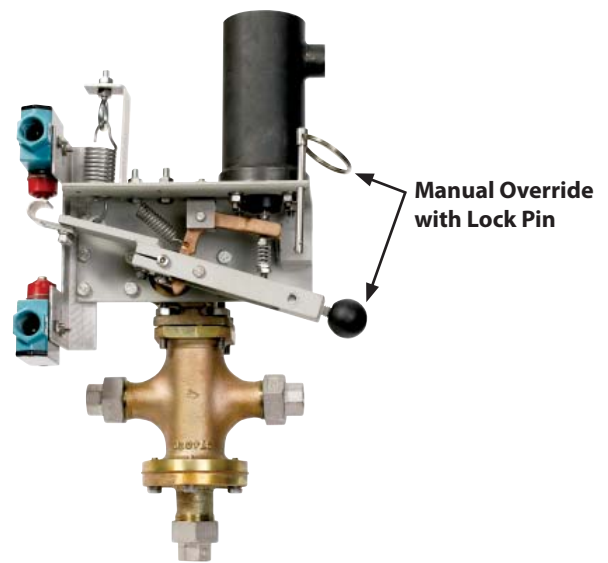


Figure 2

**Clark-Cooper** maintains a large library of valve designs and design modifications to accommodate many unique applications.

Please contact us if you require a special end connection, material selection or other option not listed in this catalog.

Our Engineering Department routinely incorporates customer specified options and accessories into existing valve designs. When necessary, new designs are created to meet the customer's special requirements and specifications.

We invite you to challenge us with your special application requirements.

# 询价信息表

## 您的公司信息：

姓名：\_\_\_\_\_ 所在部门职位：\_\_\_\_\_

公司名称：\_\_\_\_\_ 您的联系电话：\_\_\_\_\_

公司地址：\_\_\_\_\_ 您的传真号码：\_\_\_\_\_

所在地区：\_\_\_\_\_ Email: \_\_\_\_\_

您公司所属商务类型： 贸易商/分销商     OEM     终端用户/直接用户

## 所需阀的参数要求：

需求数量：\_\_\_\_\_ 要求交货日期：\_\_\_\_\_

所选电磁阀系列  EH30系列  
 EH40系列  
 EH50系列  
 EH70系列 或其他.

控制类型： 常闭型  
 常开型

通径规格：\_\_\_\_\_

端口连接： NPT

150#FL

300#FL

\_\_\_\_\_

电磁线圈特性要求：

电源电压： AC \_\_\_\_\_ Hz

DC \_\_\_\_\_

线圈特性要求：

抗渗型     防爆型

其他：\_\_\_\_\_

电磁阀操作要求：

流体介质：\_\_\_\_\_

最大工作压差：\_\_\_\_\_

介质温度：\_\_\_\_\_

介质比重：\_\_\_\_\_

流量大小或Cv：\_\_\_\_\_

最大爆破压力：\_\_\_\_\_

工作温度：\_\_\_\_\_

电磁阀应用补充说明：  
\_\_\_\_\_  
\_\_\_\_\_  
\_\_\_\_\_  
\_\_\_\_\_

## 我们的联系方式：

CLARK-COOPER（中国）：

联系电话：0755-86575299

传真号码：0755-82552964

邮箱地址：sales@diateng.com

网站地址：www.clarkcooper.cn.